



NEW

FILLETED BLADED BUCKET

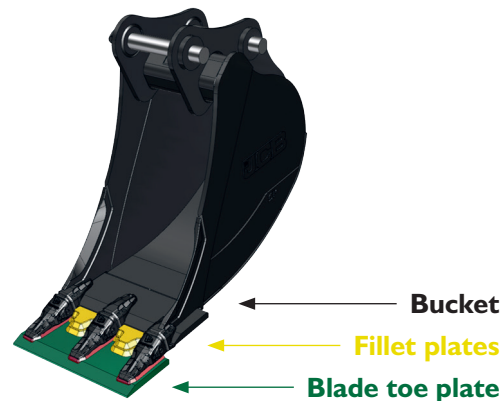
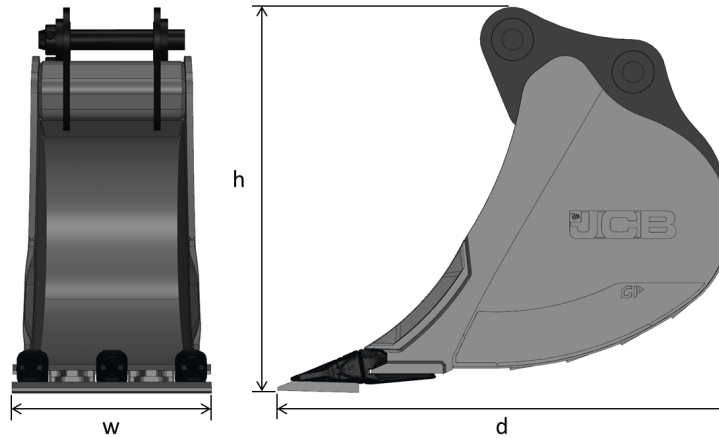
Our new range is suitable for heavy line excavators and is additional to our other bucket ranges of General Purpose, Heavy Duty and Bladed variants.

- After listening to our customers and carrying out an extensive testing activity, JCB Attachments are pleased to introduce a new range of buckets: the filleted bladed buckets ideal when digging near utilities
- Bucket shell design and capacity are in-line with current GP bucket offering
- The filleted blade maintains the current tooth design and welded blade of current GP and Bladed buckets with all the gaps filleted, ensuring all spoils are broken up when entering the bucket
- The toe plate is more visible from the cab and its extension from the bucket can be useful when excavating underneath pipework
- The blade provides a larger cutting area to prevent damage to utilities

Learn more at: jcb.com

JCB
ATTACHMENTS

#completingthesolution



PART NUMBER	STRUCK CAPACITY M ³	HEAPED CAPACITY M ³	PIN CTRS MM	PIN DIAMETER MM	MASS KG	WIDTH (W) IN.	HEIGHT (H) MM	DEPTH (D) MM	METAL THICKNESS MM	MACHINE FITMENT
980/A0425	0.19	0.23	385	65	335	18	1170	1391	20	JS130 / JS115 - JS145 / 131X - 150X
980/A0426	0.25	0.3	385	65	371	24	1170	1391	20	JS130 / JS115 - JS145 / 131X - 150X
980/B0951	0.31	0.35	450	80	618	24	1338	1588	25	JS200 - JZ255 / 210X-220X

Completing the solution: Using a JCB Attachment with a JCB machine provides the ultimate complete package. Please contact JCB Attachments if you have any questions or visit <https://www.jcb.com/en-gb/attachments>